

JCZ -250~500 掣震裝置安裝說明

JCZ Seismic snubber equipment installation guide

按裝前，請確認避震器之型號規格是否正確。

Before installation, make sure the model and the specification are correct.

安裝說明

Installation guide

- 所需工具：公制口徑24mm (M16)、30mm (M20)開口扳手。

Required tools: 24mm (M16) and 30mm (M20) open wrenches.

- 欲安裝掣震裝置須先將螺栓組鎖在基座上預先鑽好的孔位上。(如圖1)

Lock the bolts on the holes to install the seismic snubber equipment (Fig 1).

- 預埋螺栓確實鎖固完成後即可對基座灌入水泥。(如圖2)

Fill the base with cement after locking the embedded bolts (Fig 2).

- 避震器安裝調整完畢後，依序將掣震裝置的配件依序組合完成。(如圖3)

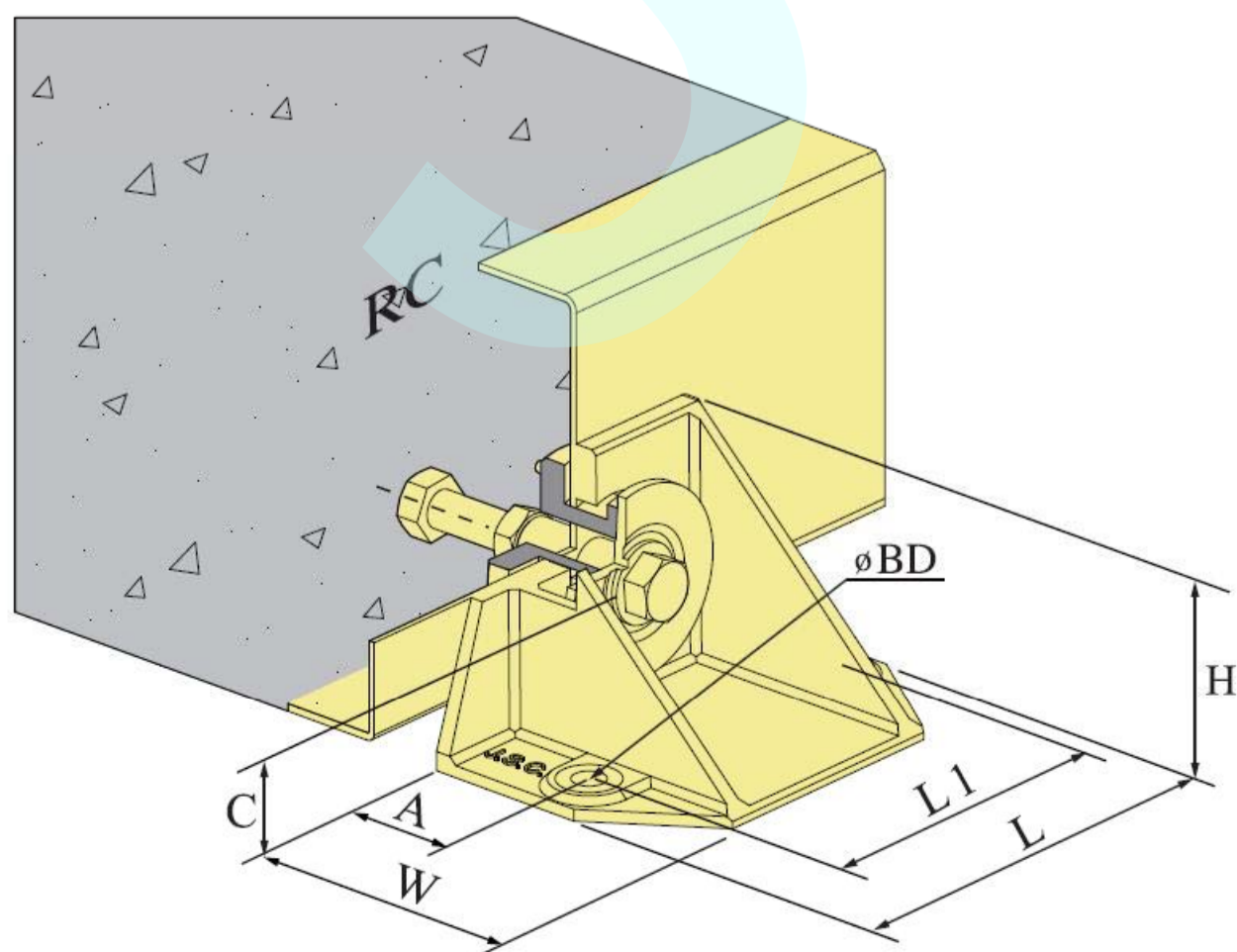
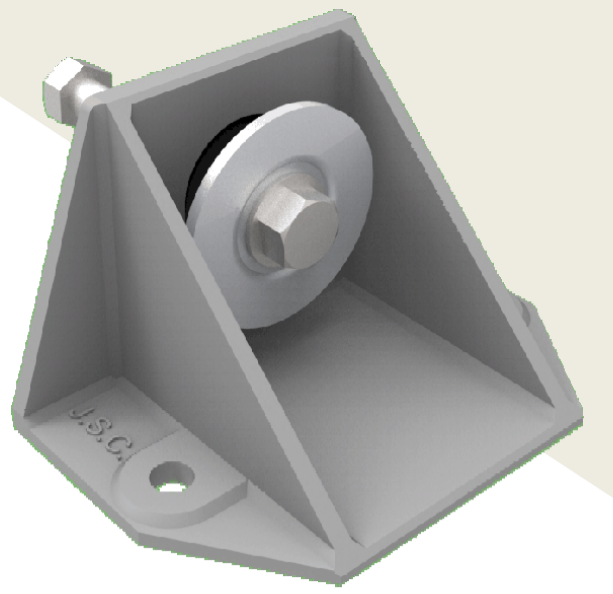
After adjusting the isolator, put the other assemblies of the seismic snubber equipment together in order (Fig 3).

- 安裝時，橡膠襯套的橡膠凸點必須確實與基座接觸，方可達到掣震功能。(如圖4)

Make sure the rubber dimple inside the rubber bushing contacts directly with the base to operate the seismic snubber function (Fig 4).

- 安裝時要注意，預埋螺栓的中心位置必須與掣震鐵座的圓孔中心位置對齊。(如圖5)

Align the central location of the embedded bolt with the hole inside the base while installing (Fig 5).



型號	尺寸(mm)							螺栓組
	L	L1	W	H	φBD	A	C	
JCZ-250	180	140	120	110	14	60	60	M16
JCZ-500	220	170	170	160	18	90	90	M20

JCZ -250~500 掣震裝置安裝說明

JCZ Seismic snubber equipment installation guide

安裝說明

Installation guide

- 確認安裝位置及高度無誤後，以基礎螺栓將掣震裝置固定於地面上。

Fasten the seismic snubber equipment with foundation bolt on the ground after checking the location of installation and the height.

- 若預埋螺栓於安裝時碰觸到掣震裝置的鐵座時，則易發生振動及噪音傳遞。

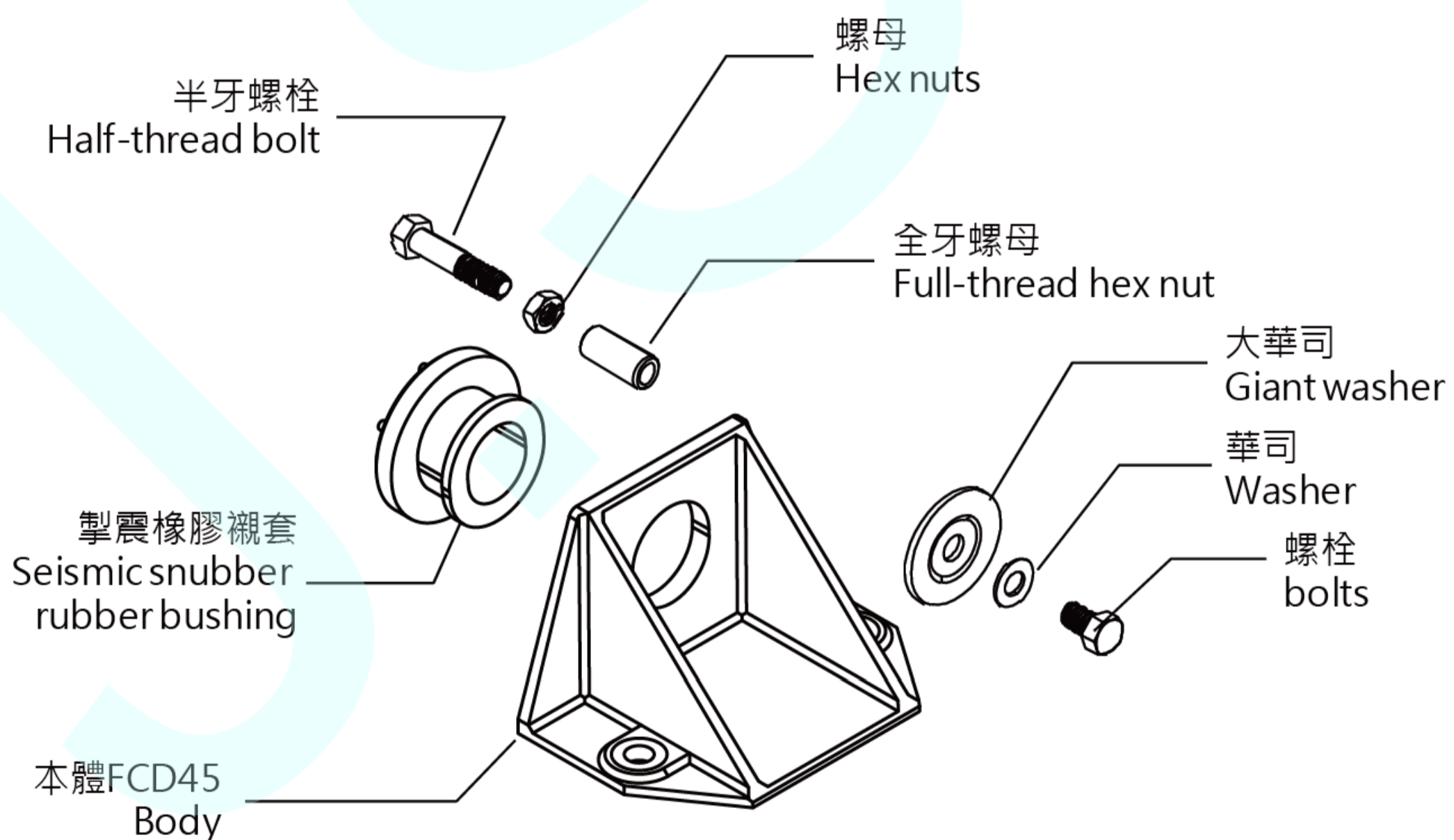
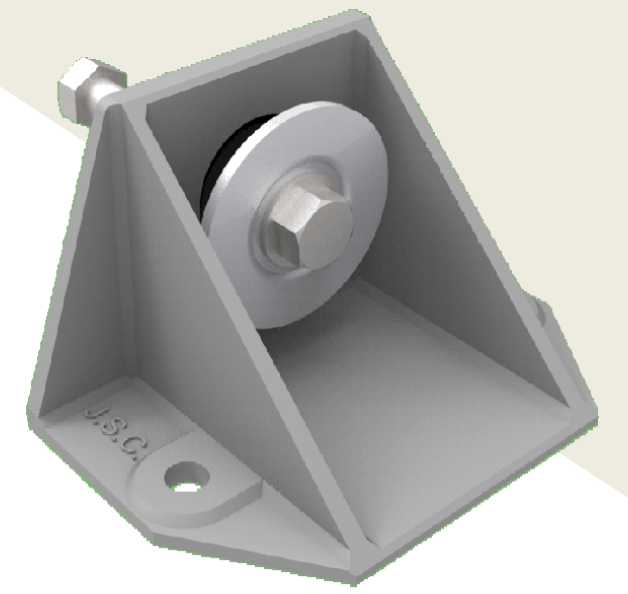
If the embedded bolt bumps into the base of the seismic snubber equipment during the installation, it will lead to vibration and noise issues.

- 將掣震裝置的配件安裝完成後，即完成掣震裝置的安裝。(如圖6)

The installation of the seismic snubber equipment is completed after assembling all the parts of the equipment (Fig 6).

- 按裝時，請注意安全。

Be cautious during the installation.



※ 保養點檢項目：每月觀察固定螺栓&基礎螺栓保持鎖固、保持避震器安裝狀態&彈簧下壓撓度正常。

Maintenance checking points: remain fixed bolt and foundation bolt locked, installation of the mounts, and the deflection of the spring monthly.

JCZ-250~500 掣震裝置圖解說明

JCZ seismic snubber equipment illustration

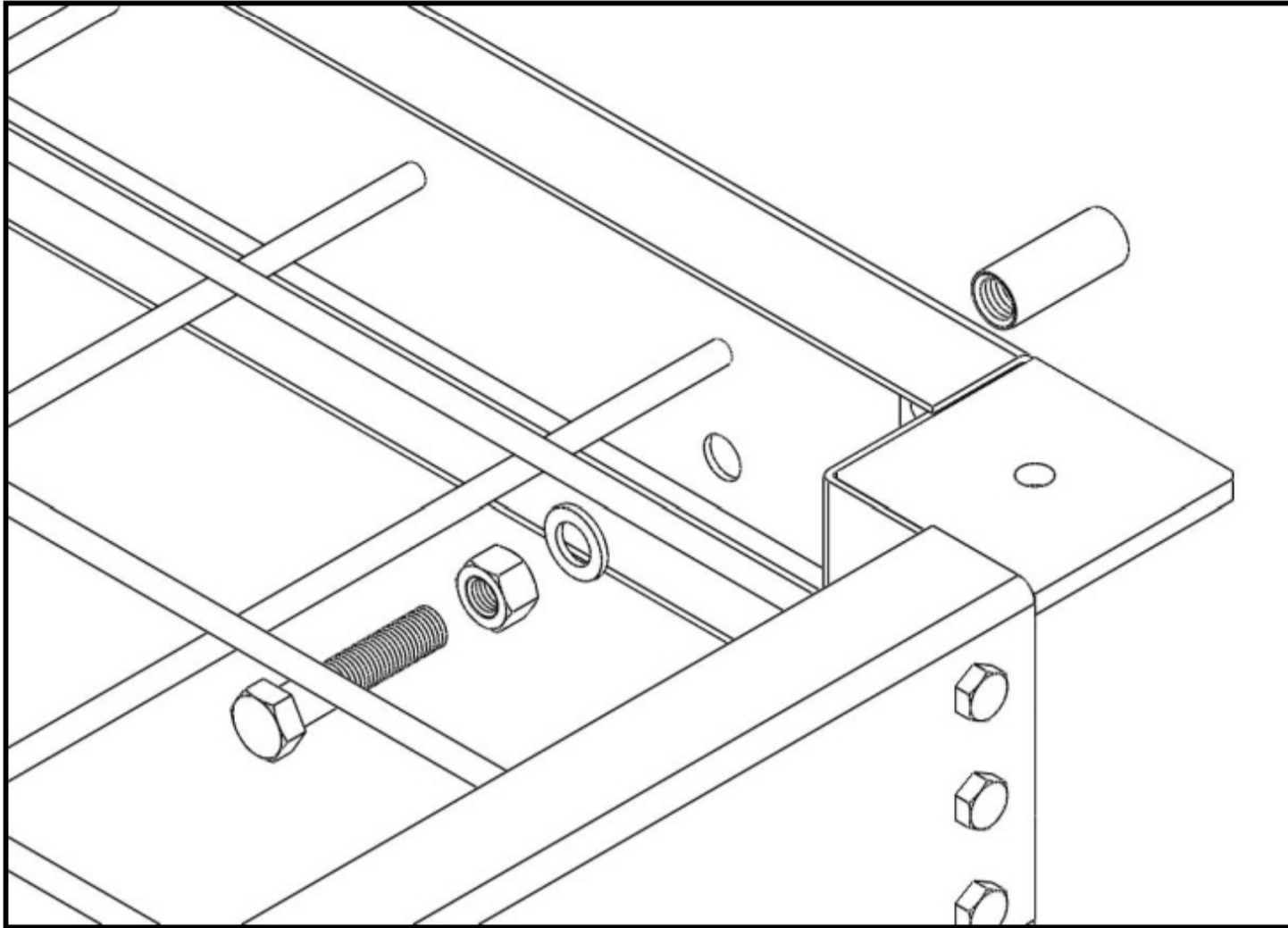


圖1)將掣震裝置的半牙螺栓預先鎖入基座已先鑽好的安裝孔上。

Fig 1) Lock the half-thread bolts of the seismic snubber equipment on the holes of the base.

圖2)掣震裝置的螺栓預埋完成後，即可對基座進行灌漿。

Fig 2) Fill the base with cement after locking the embedded bolts.

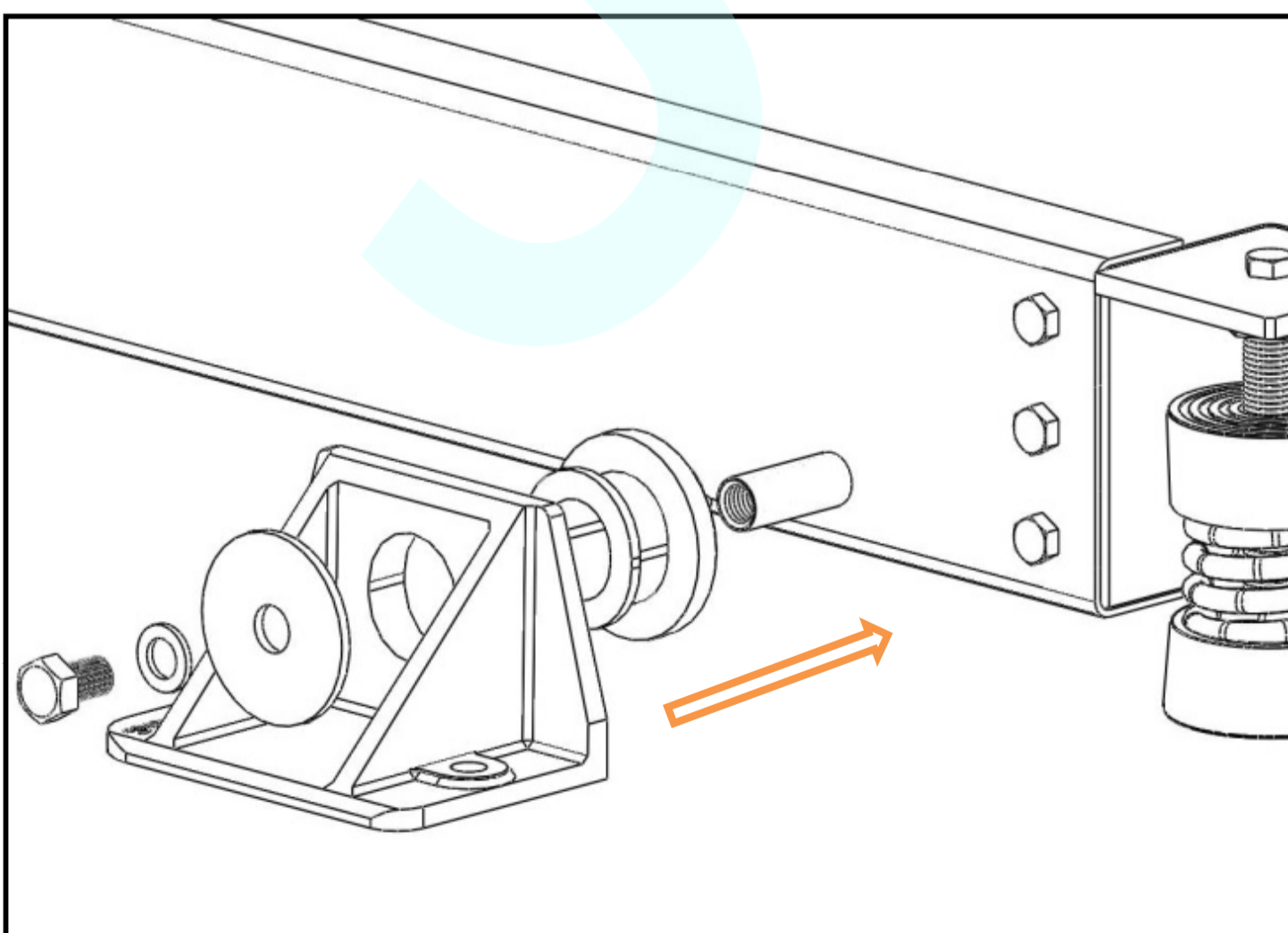
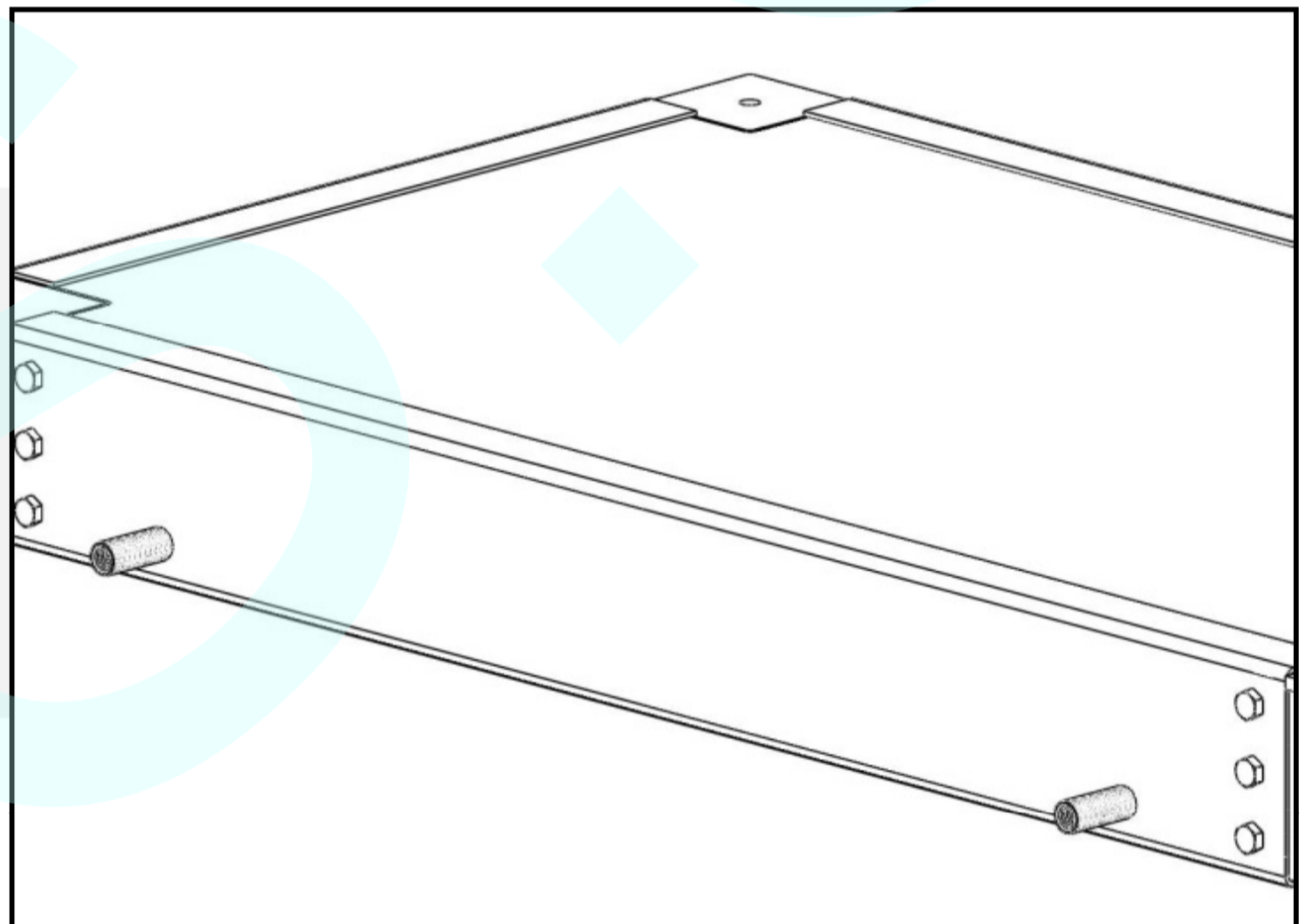


圖3)避震器調整完畢後，即可依序將掣震裝置的配件依序裝入。

Fig 3) After adjusting the isolator, put the other assemblies of the seismic snubber equipment together in order.

JCZ-250~500 掣震裝置圖解說明 JCZ seismic snubber equipment illustration

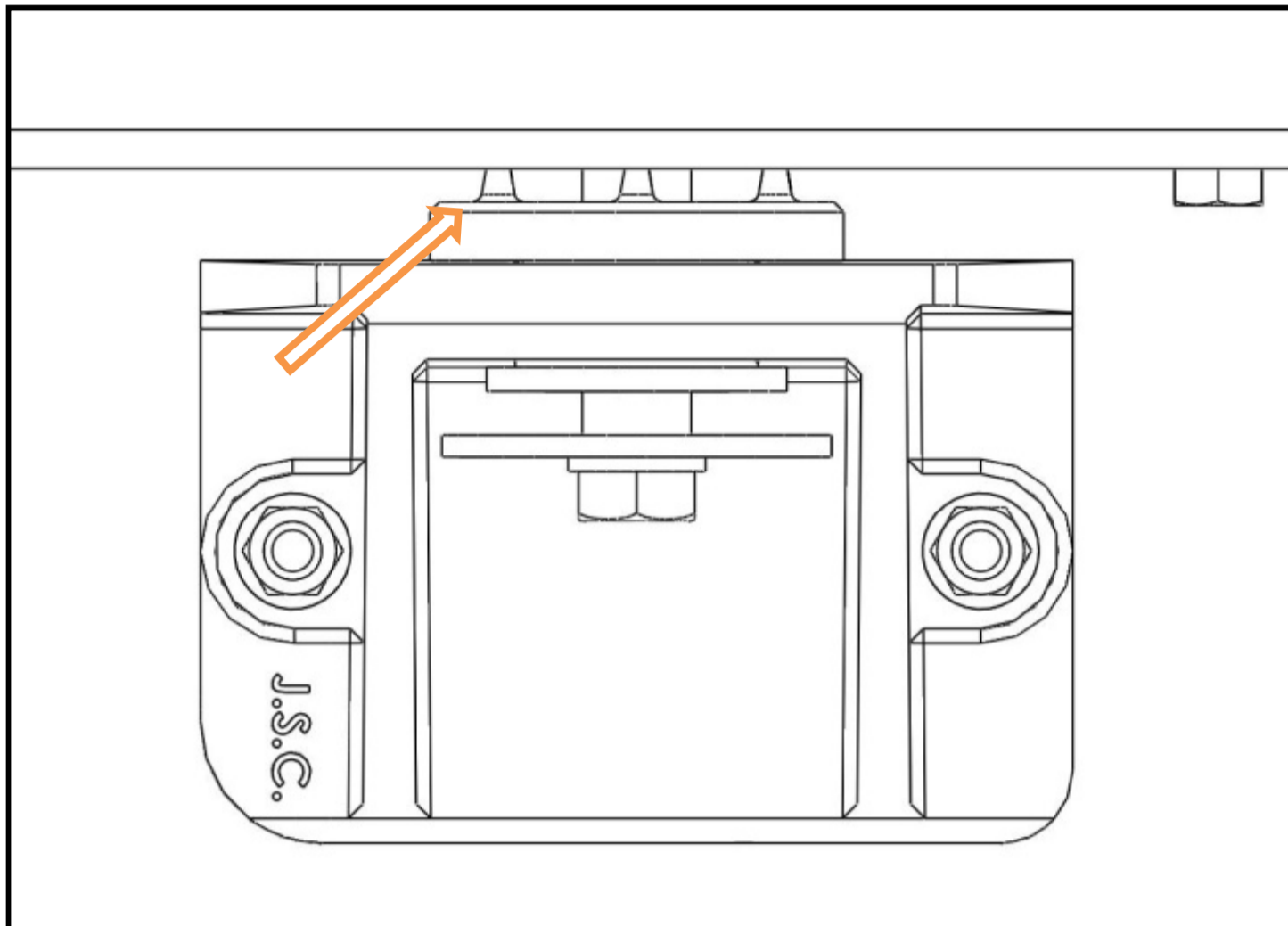


圖4)掣震橡膠襯套的橡膠凸點須與基座接觸，才可達到掣震功能。

Fig 4) Make sure the rubber dimple inside the rubber bushing contacts directly with the base to operate the seismic snubber function.

圖5) 預埋之螺栓的中心位置必須與鐵座之中心孔對正，不可因太高或太低而碰觸到鐵件掣震裝置的安裝。

Fig 5) Align the central location of the embedded bolt with the hole inside the base without bumping into other assemblies in the equipment.

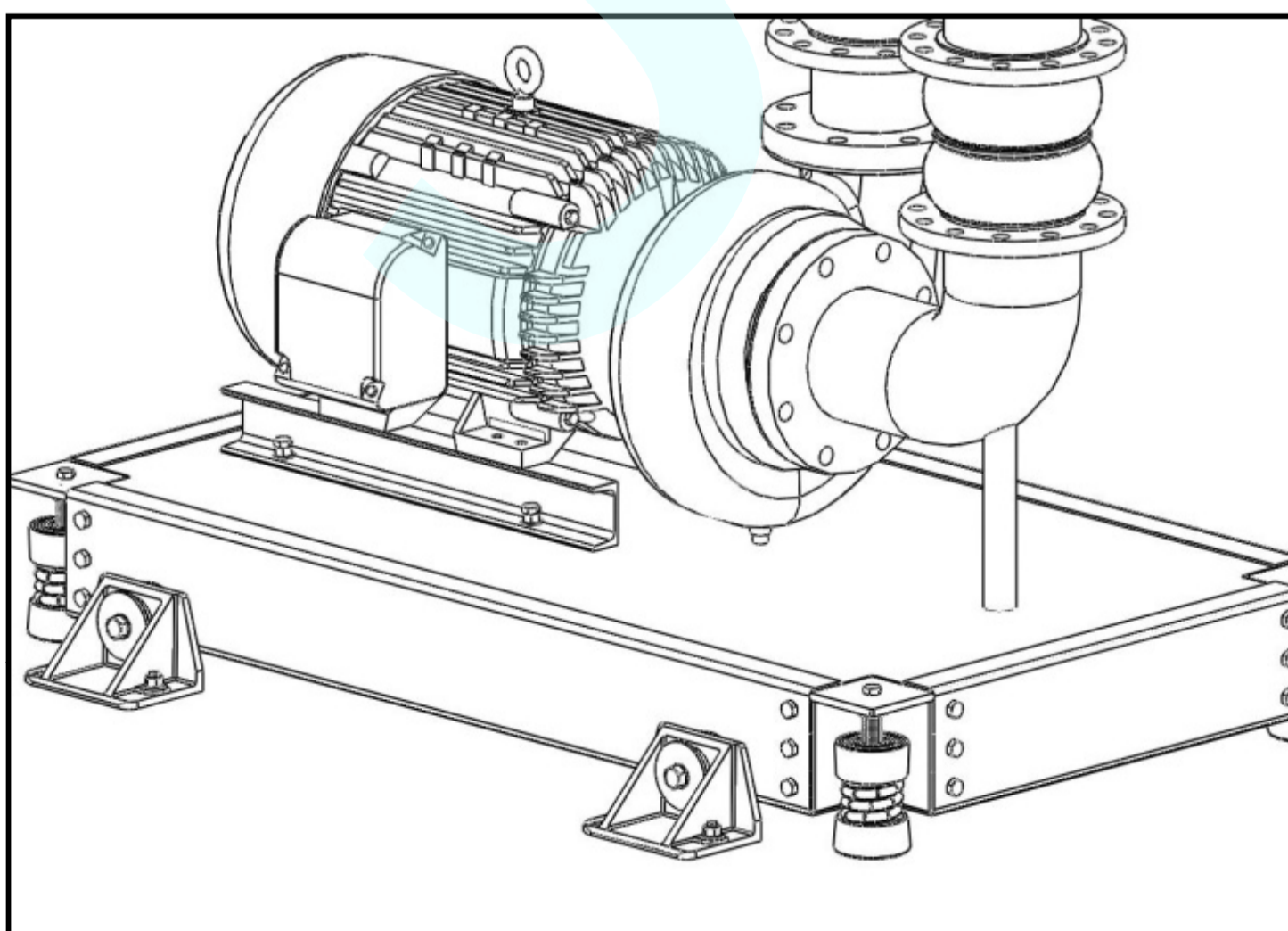
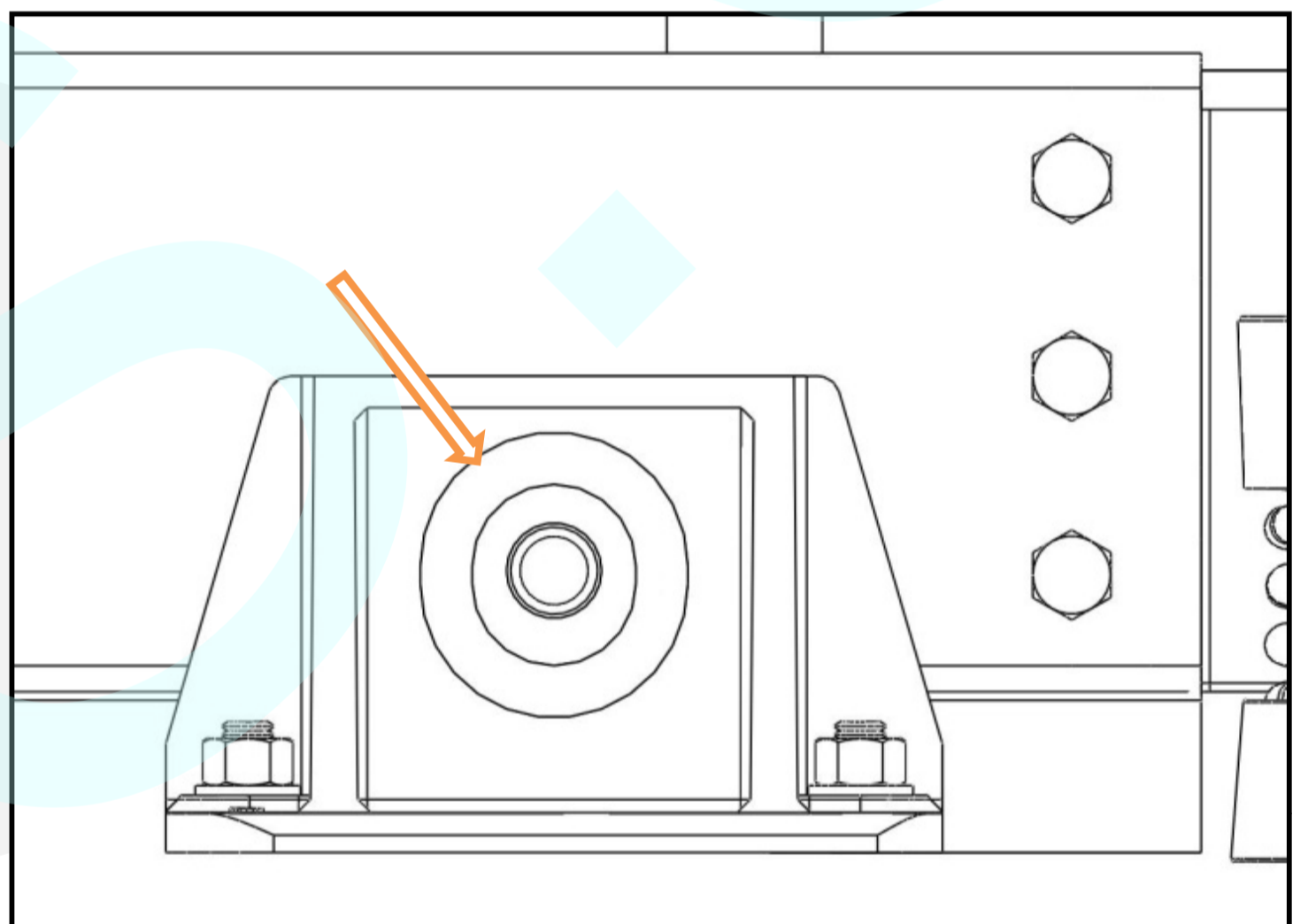


圖6)將掣震裝置配件全部組合完成後，即完成。

Fig 6) The installation of the seismic equipment is completed after assembling all the parts together.