

# JAC-9 型彈簧式避震器安裝說明

## JAC-9 spring isolator installation guide

按裝前，請確認避震器之型號規格是否正確。

Before installation, make sure the model and the specification are correct.

### 安裝說明

### Installation guide

- 所需工具：公制口徑24mm (5/8")、46mm (M30) 開口扳手、爪式千斤頂。

Required tools: 24mm (5/8") and 46mm (M30) open wrenches and claw jack.

- 在未完成避震器高度調整前，請勿將避震器之壓墊取出。

Before completing the adjustment of the isolator, do not remove the pressure pad from the isolator.

- 請先依據基礎螺栓固定孔的位置，將避震器以基礎螺栓固定，並以木台固定高度。(如圖1)

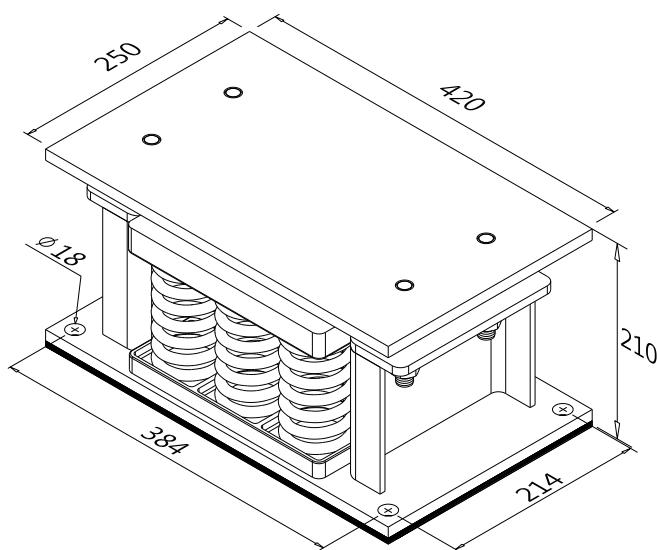
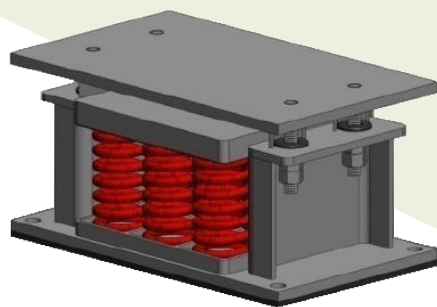
Fasten the isolator with foundation bolt according to the location of bolt-loaded holes and fix the height with wooden panel (Fig 1).

- 將設備放置於避震器上，避震器若有固定孔時以固定螺栓鎖固避震器與設備。(如圖2)

Place the equipment on the isolator. Fasten the bolt for the isolator and the equipment if there are fixed holes on the isolator (Fig 2).

- 調整避震器高度時先鬆脫兩旁之反擊螺帽5~10mm，並相對鎖固之。(如圖3)

Loosen the nuts on both sides for 5~10mm first before adjusting height of the isolator and lock them afterwards (Fig 3).



## JAC-9 型彈簧式避震器安裝說明 JAC-9 spring isolator installation guide

- 使用公制口徑46mm 開口扳手以逆時針方向交叉輪流調整兩顆 M30螺栓，使彈簧受力下壓、避震器上蓋鐵上升。(如圖4)

Adjust two M30 adjustment bolts in the anti-clockwise direction with 46mm open wrench to press down the spring and to raise the iron sheet (Fig 4).

- 調整至壓墊可取出時，即可停止調整並取出木台。(如圖5)

Adjustment can be stopped and wooden panel can be removed once you can take out the pressure pad (Fig 5).

- 取出壓墊後，即完成避震器安裝調整成安裝調整。(如圖6)

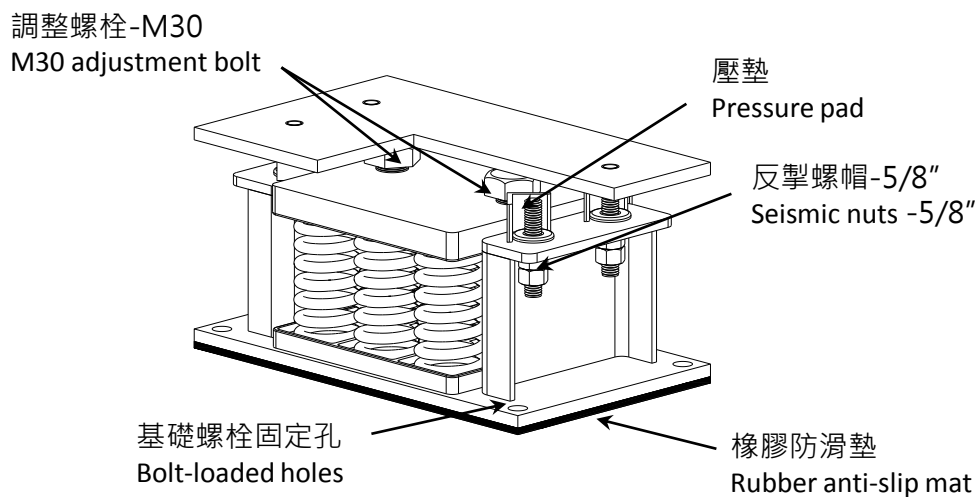
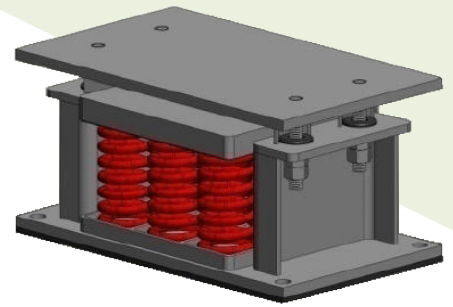
The installation is completed after taking out the pressure pad (Fig 6).

- 安裝後請檢查彈簧之下壓量，如彈簧壓實表示荷重不足無避震效果。應予更換較大荷重之規格，並請洽本公司業務人員。

After the adjustment, check the press amount of the spring. If it appears with insufficient loading, please replace with bigger loading by contacting our staff.

- 按裝時，請注意安全。

Be cautious during the installation.



※保養點檢項目：每月觀察固定螺栓&基礎螺栓保持鎖固、保持避震器安裝狀態&彈簧下壓撓度正常。

Maintenance checking points: Check the mounting bolts, remain fixed bolt locked, installation of the isolator, and the deflection of the spring.

## JAC-9 型彈簧式避震器圖解說明 JAC-9 spring isolator illustration

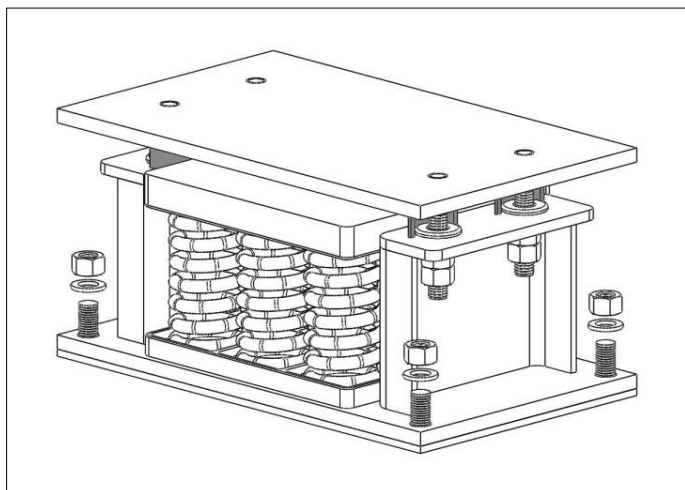


圖1)將避震器以基礎螺栓固定，並以木台固定高度。

Fig 1) Fasten the isolator with foundation bolt and fix the height with wooden panel.

圖2)將設備放置於避震器上，避震器若有固定孔時以固定螺栓鎖固避震器與設備。

Fig 2) Place the equipment on the isolator. Fasten the bolt for the isolator and the equipment if there are fixed holes on the isolator.

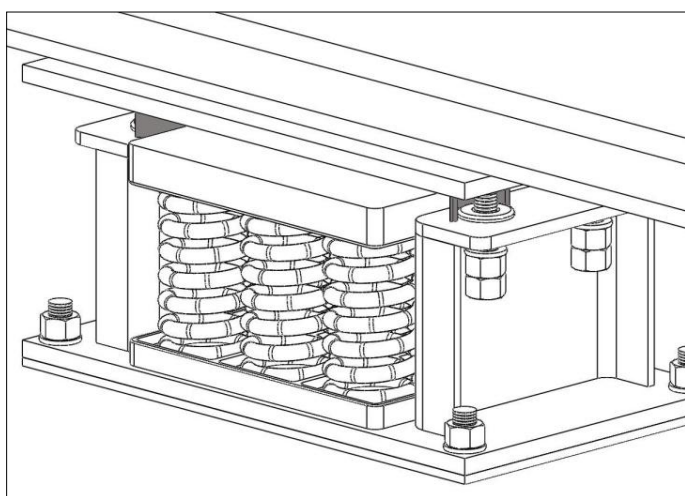
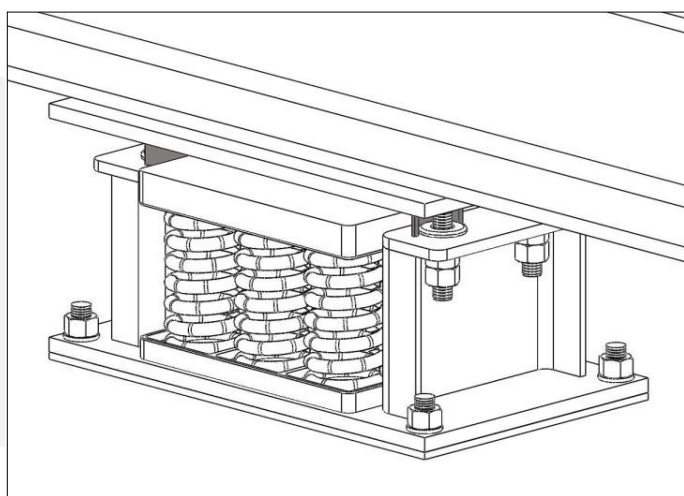


圖3)調整避震器高度時，先鬆脫兩旁之反掣螺帽5~10mm，並相對鎖固之。

Fig 3) Loosen the nuts on both sides for 5~10mm first before adjusting height of the isolator and lock them afterwards.

## JAC-9 型彈簧式避震器圖解說明 JAC-9 spring isolator illustration

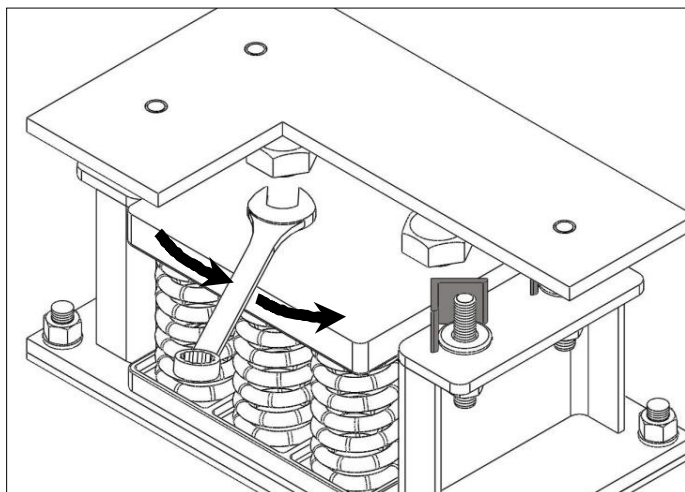


圖4)使用公制口徑46mm板手以逆時針方向交叉輪流調整螺栓，避震器上蓋鐵上升。

Fig 4) Adjust the adjustment bolts in the anti-clockwise direction with 46mm open wrench to raise the iron sheet.

圖5)調整至避震器上蓋鐵昇高，壓墊可以取出時即可完成調整並取出木台。

Fig 5) Adjust the isolator until the iron sheet arises. Adjustment can be stopped and wooden panel can be removed once you can take out the pressure pad.

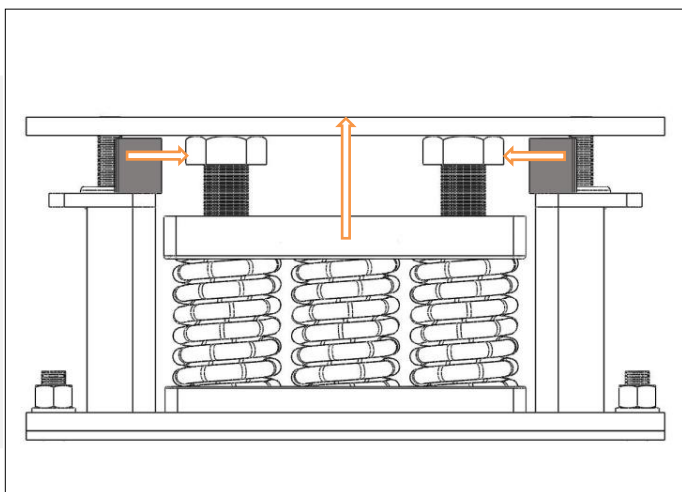


圖6)取出壓墊後，即完成避震器安裝調整。

Fig 6) The installation is completed after taking out the pressure pad.

J.S.C. Scientific Controls.

